



Important Information

Please note the recommended process for adjusting centre legs when assembling your bed.

Before placing the mattress on the base, please ensure that the **SUPPORT LEGS ARE NOT QUITE TOUCHING THE FLOOR BY AROUND 10MM**. When the bed is then in use the support legs will sit firmly on the solid surface.

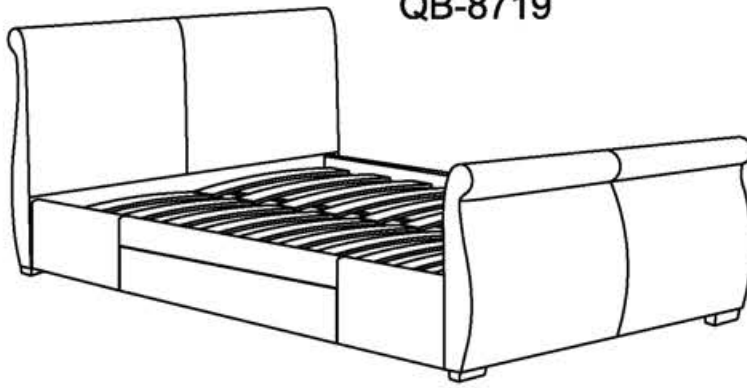
PLEASE ENSURE THAT THE LEGS ARE VERTICAL.

When moving the bed it is essential that it is **LIFTED** into the new position. **NEVER DRAG** the bed as this will move the legs from the vertical position thus weakening the support of the centre rail.

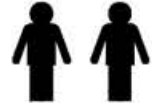
Adhering to the recommended process will ensure that your bed gives you years of trouble free service.

ASSEMBLY INSTRUCTIONS-DOUBLE

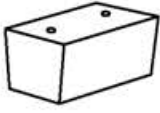





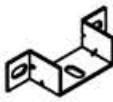









QB-8719



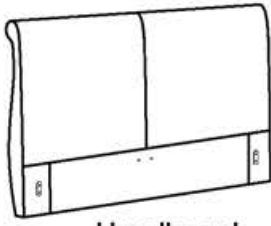
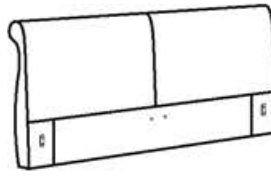
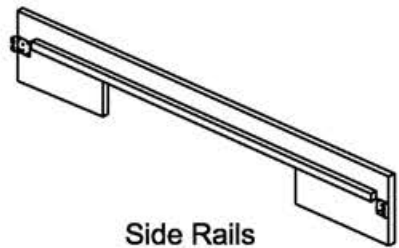

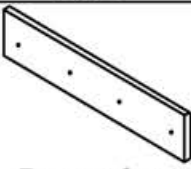
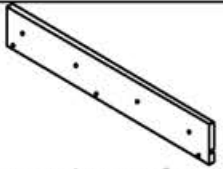

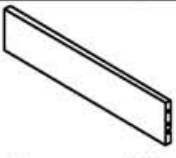

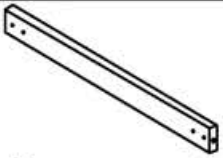
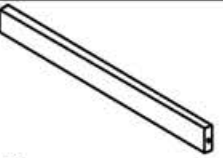
Tools Needed
2 person build



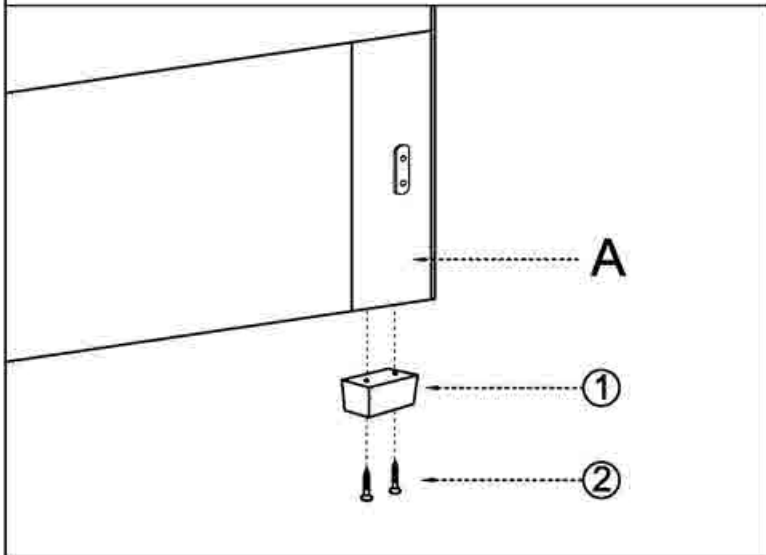
BED FITTINGS

| | | | | | |
|--|---|--|--|--|--|
|  Feet ① X 4 |  Screws(m8*50) ② X 8 |  Gold Bolts (m8*18) ③ X 8 |  Allen Key (m5) ④ X 1 |  Support legs ⑤ X 2 | |
|  Bolts (m8*40) ⑥ X 2 |  Brackets ⑦ X 2 |  Bolts (m8*20) ⑧ X 6 |  Washers (m8) ⑨ X 16 |  Bolts (m7*38) ⑩ X 28 | |
|  Screws(m8*16) ⑪ X 16 |  Wheels ⑫ X 8 |  Bolts (m8*30) ⑬ X 8 |  Centre plastic cap ⑭ X 13 |  End plastic cap ⑮ X 26 |  Slats ⑯ X 26 |

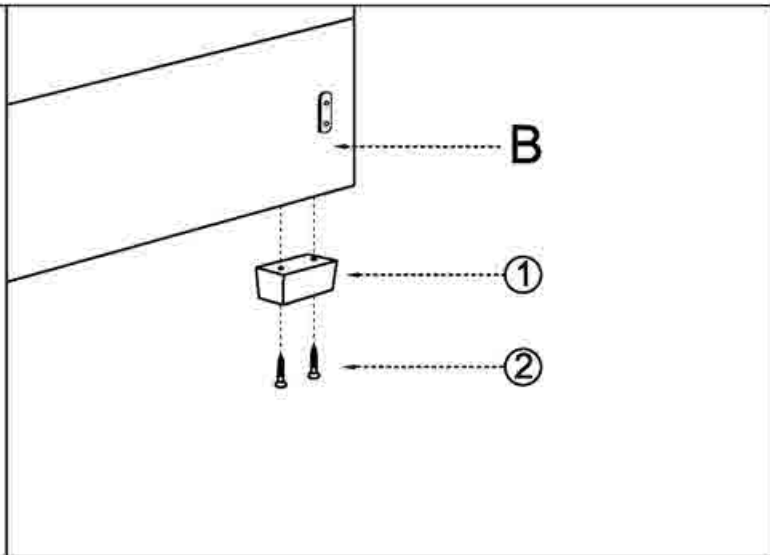
PART LIST

| | | | | |
|---|--|--|---|--|
|  Headboard A X 1 |  Footboard B X 1 |  Side Rails C X 2 | | |
|  Centre Rail D X 1 |  Drawer front E X 2 |  Inner drawer front F X 2 | | |
|  Drawer back G X 2 |  Drawer side H X 4 |  Drawer base board I X 2 |  Drawer supporter J X 4 |  Drawer supporter K X 2 |

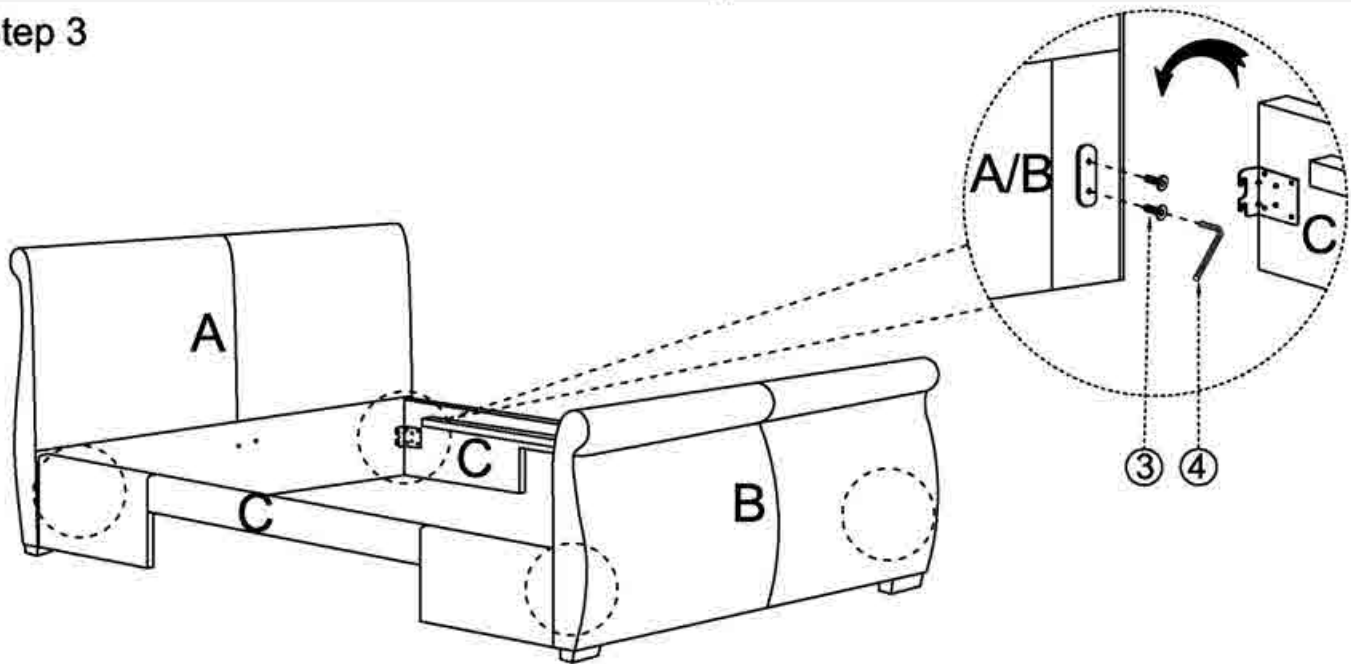
Step 1



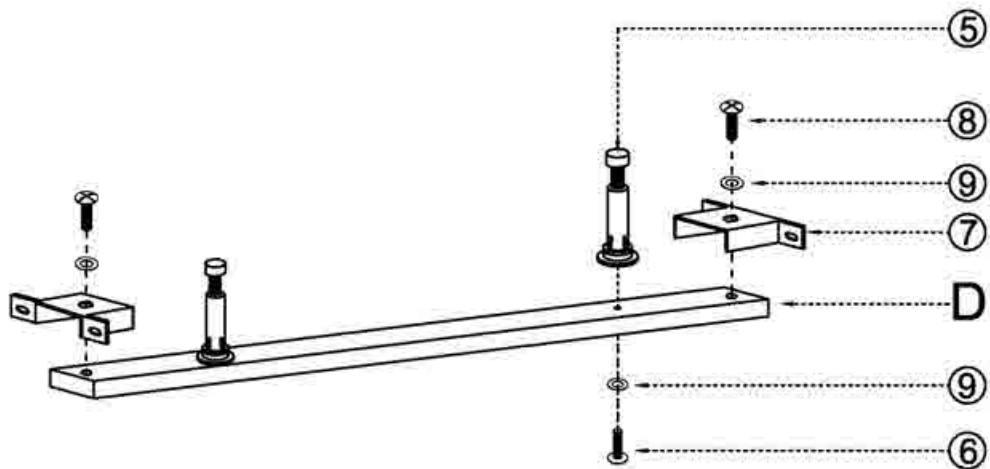
Step 2



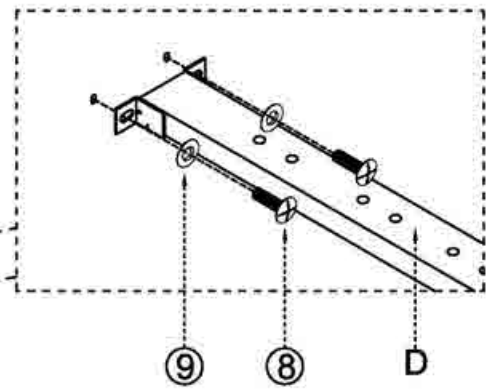
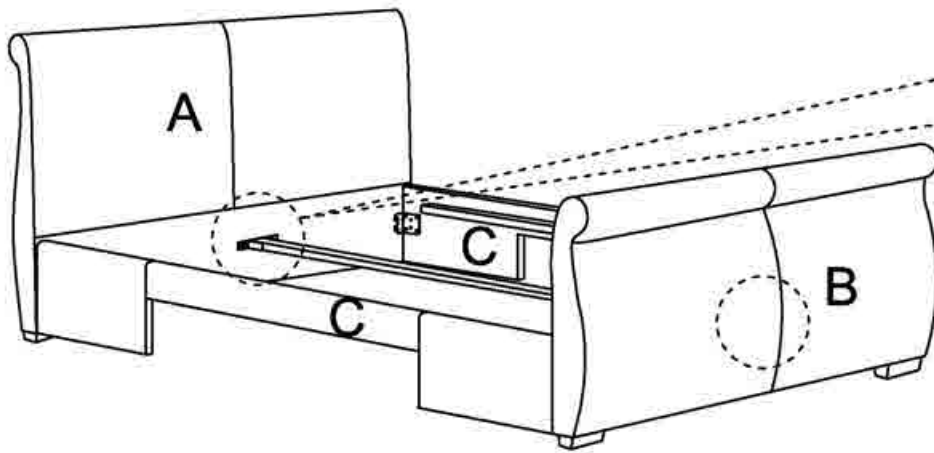
Step 3



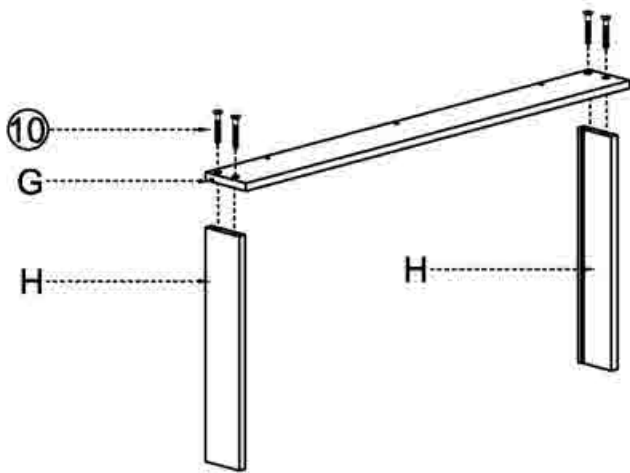
Step 4



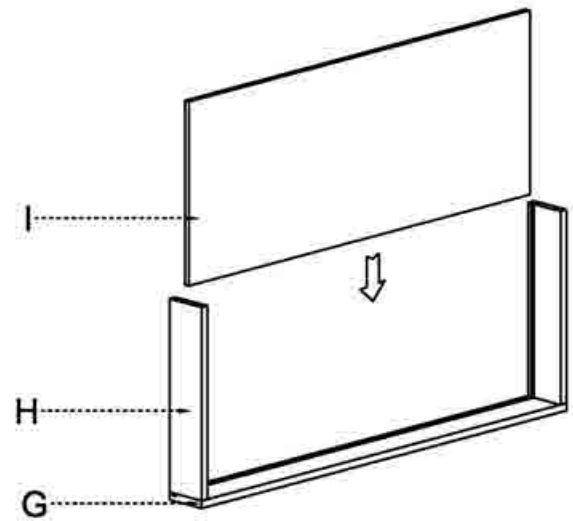
Step 5



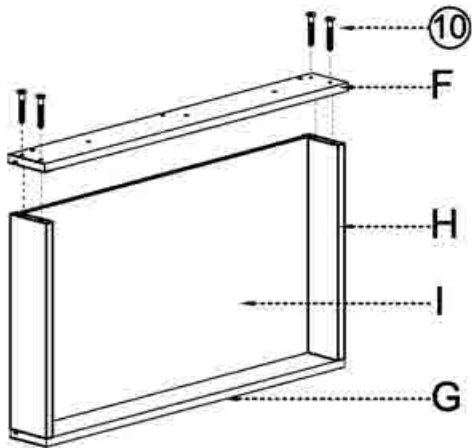
Step 6



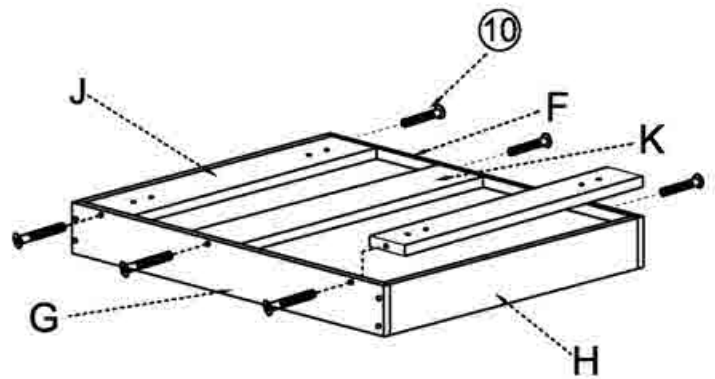
Step 7



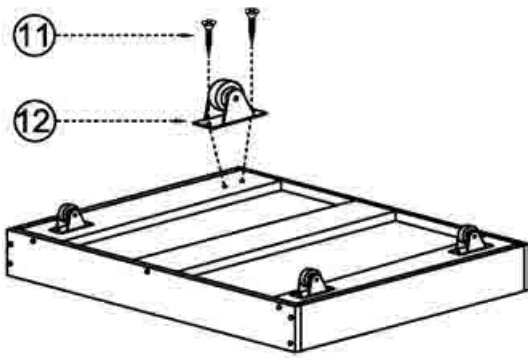
Step 8



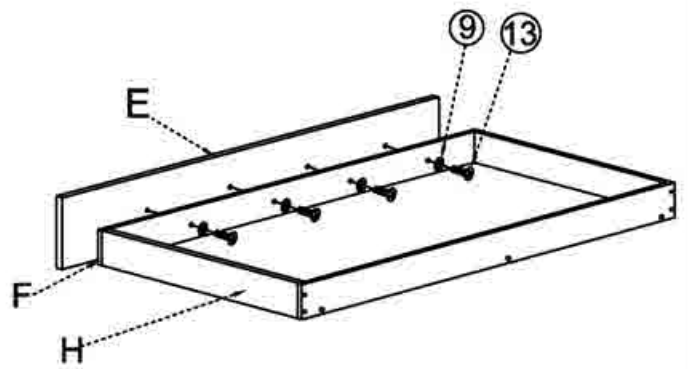
Step 9



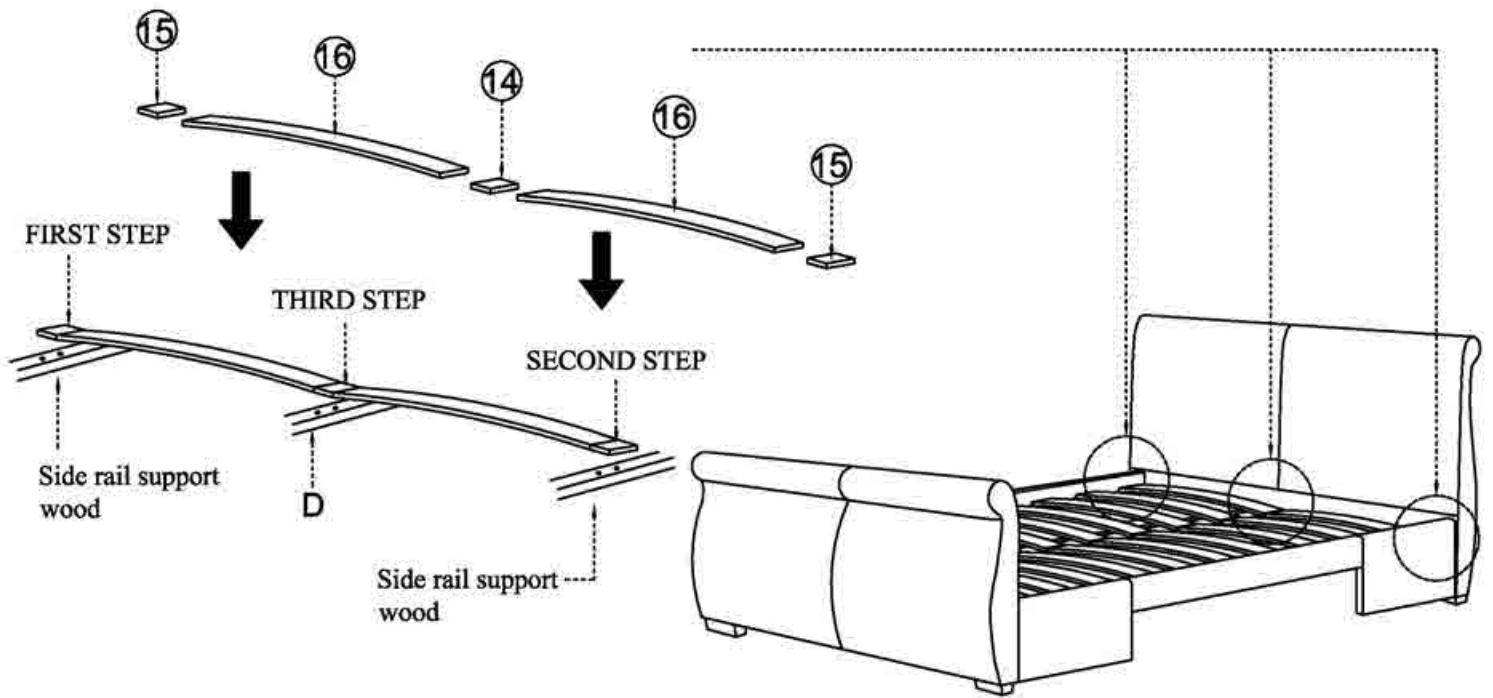
Step 10



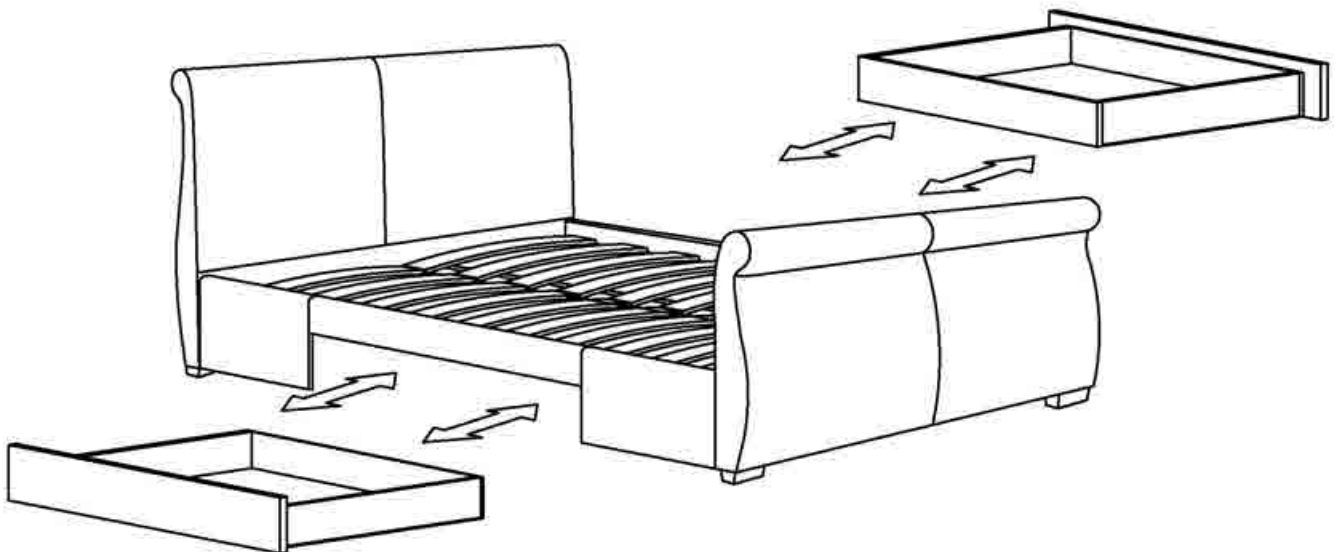
Step 11



Step 12



Step 13



REMARK : ONCE BED IS ASSEMBLED, **DO NOT** SIT, STAND OR APPLY WEIGHT DIRECTLY TO SLATS UNLESS MATTRESS IS IN PLACE.